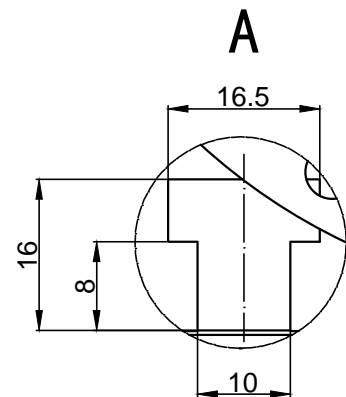
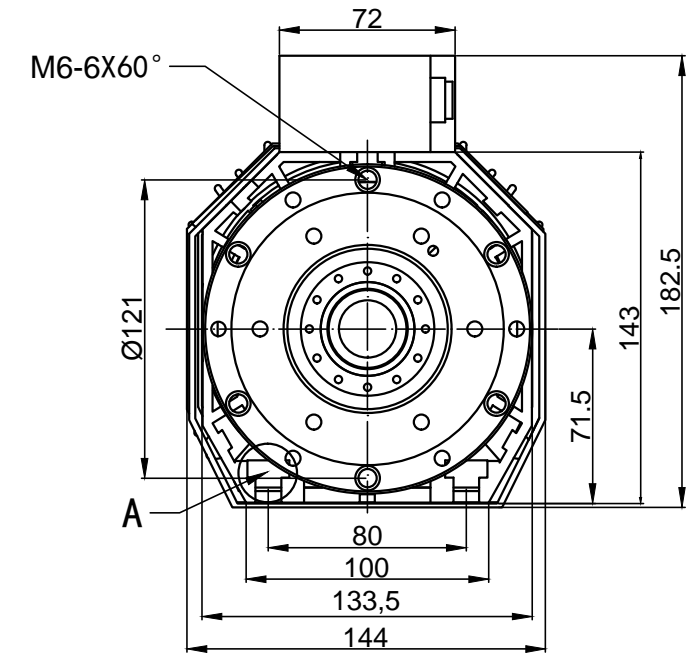
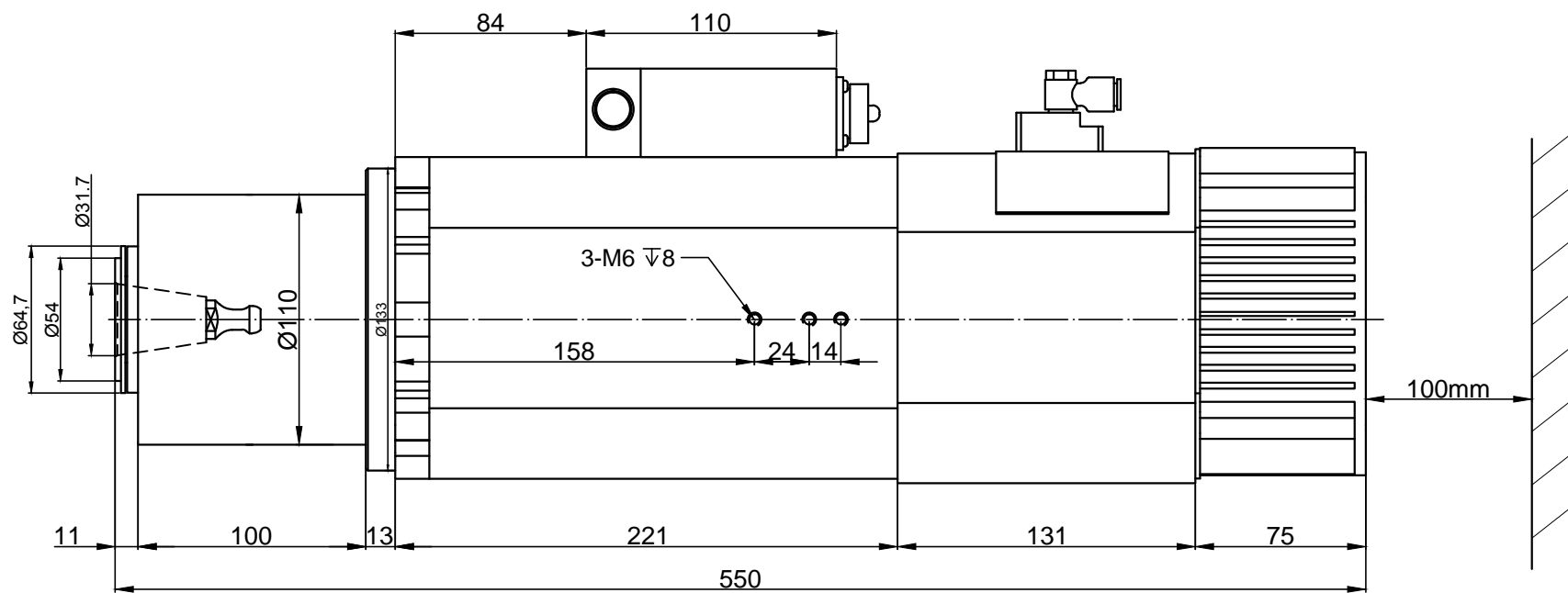
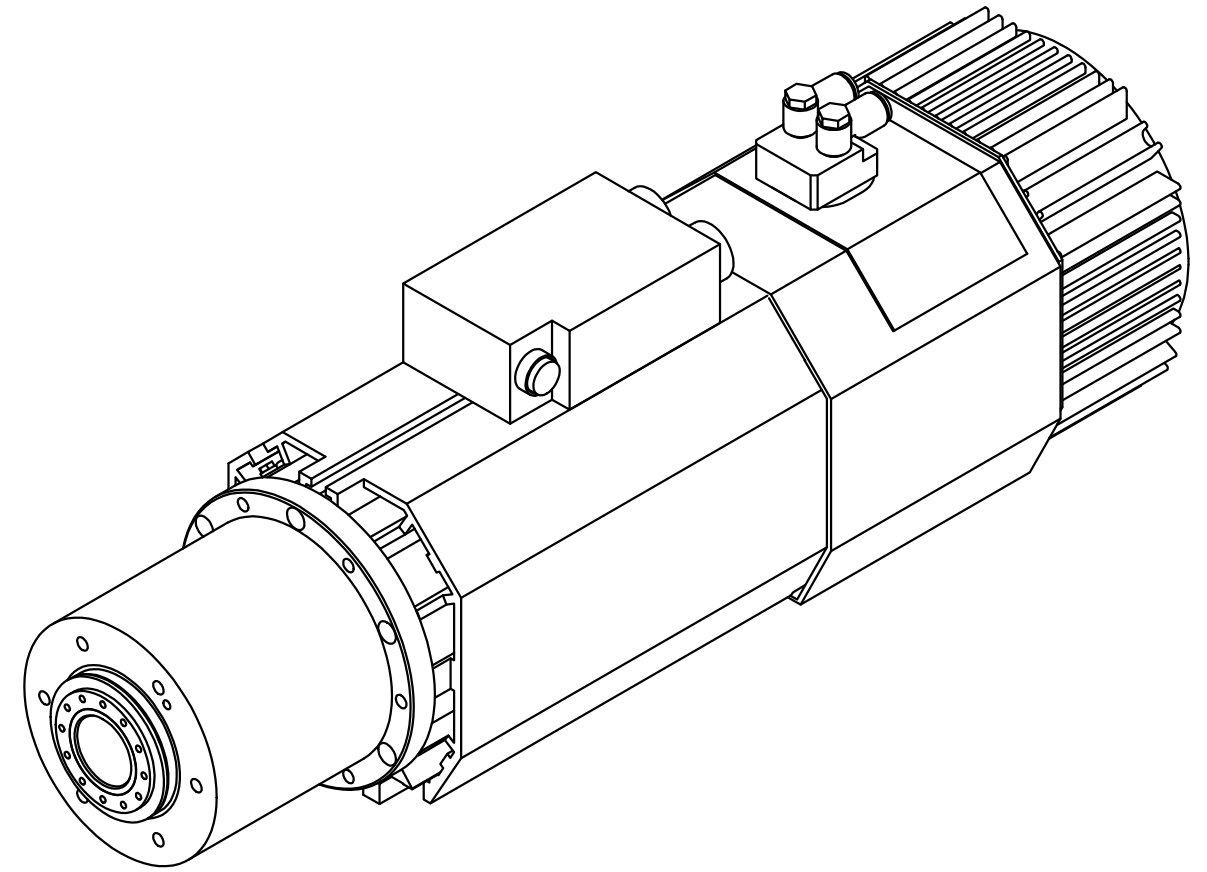
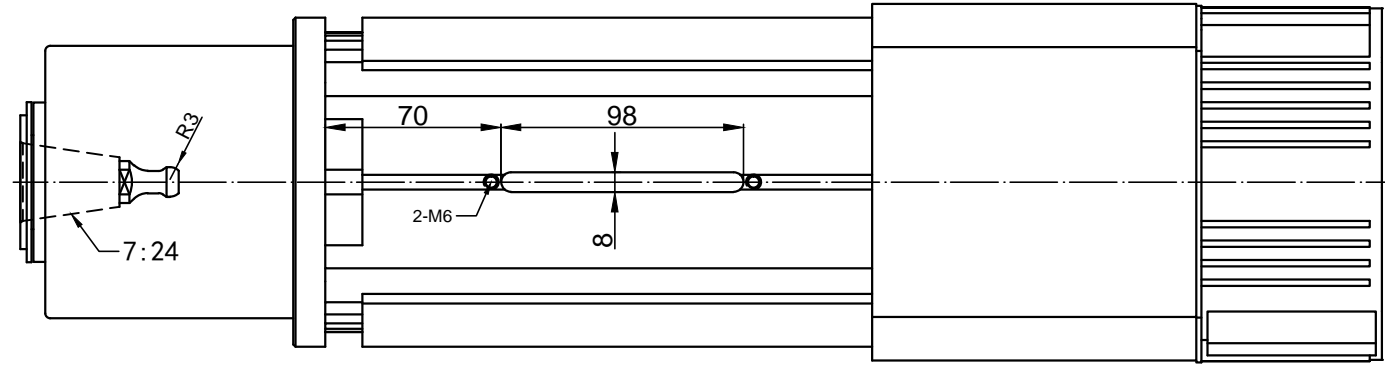


STL70-24Z-9.0L



WHD SPINDLE MOTOR

Speed	Power	Voltage	Current	Frequency	Poles	Joint of nose	Lub	Cool	Bearings	Weight
12000-24000RPM	9kW	220V/380V	18.2/32.0A	400-800Hz	4	ISO30	grease	Aircooling	2x7008C P4 2x7006C P4	32kg