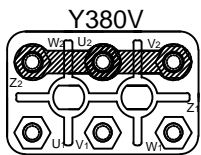
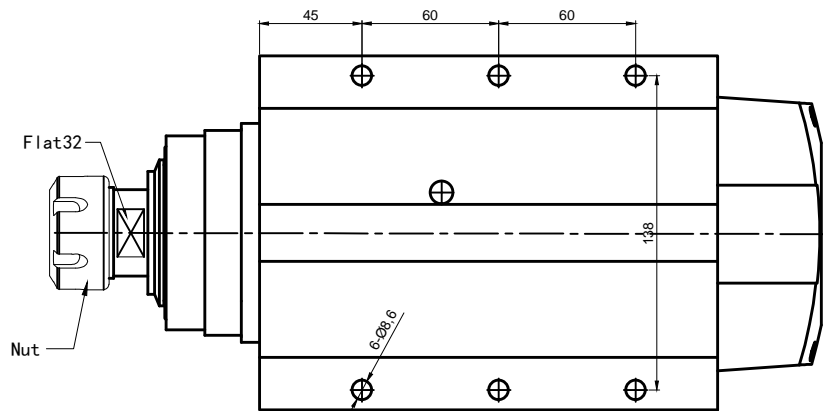
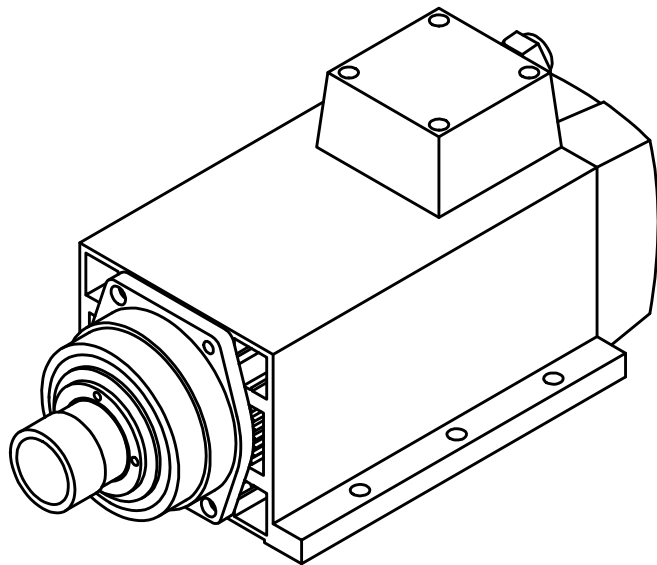
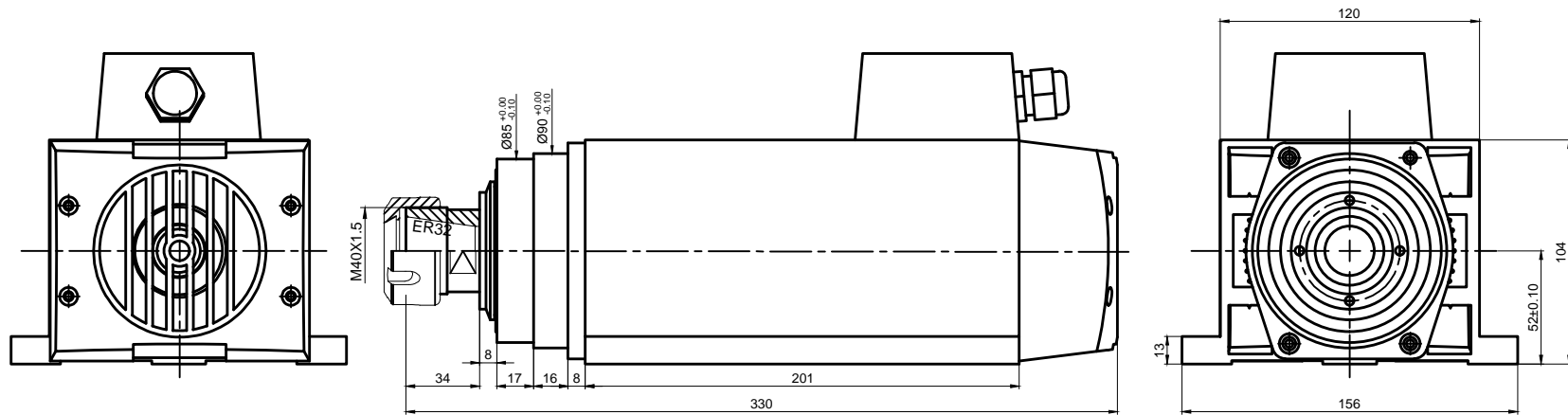


STF52-156B-4.5-ER32-JXH



【CAUTION】

- Rotating mode: anticlockwise from the shaft extension end.
- The spindle is single voltage 380V. Do not change the direction of the copper!

WHD SPINDLE MOTOR

Power	Voltage	Current	Shaft	Frequency	Speed	Cool	Weight
4.5KW	380V	9.2A	ER32	300Hz	18000RPM	Air	12KG