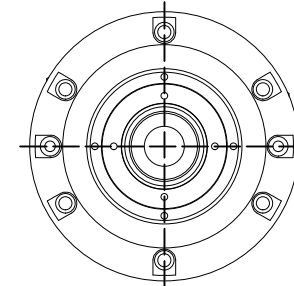
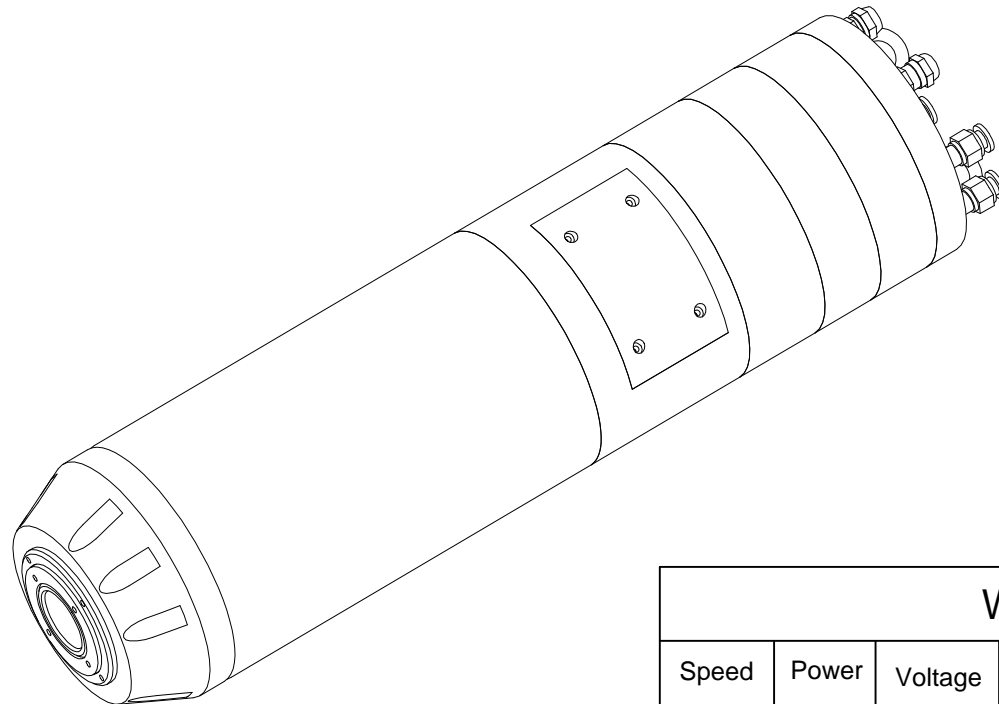
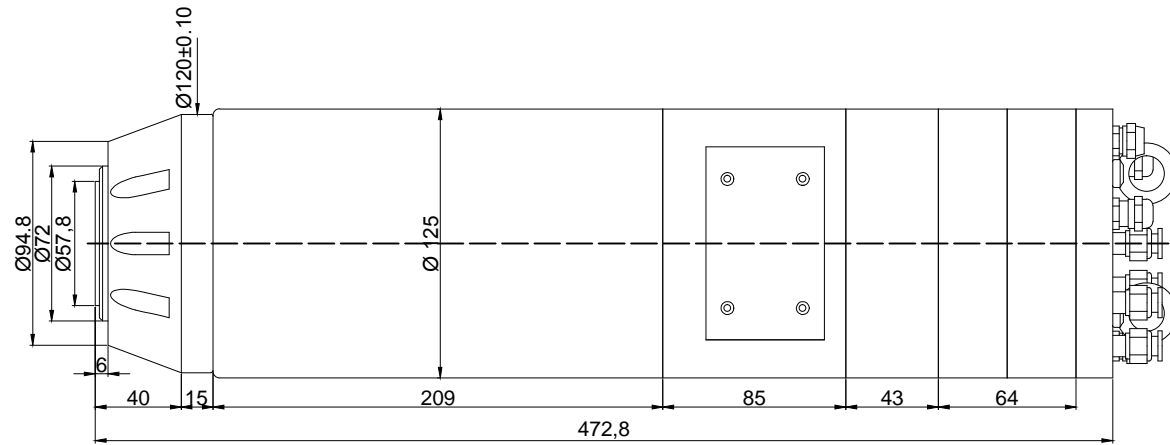
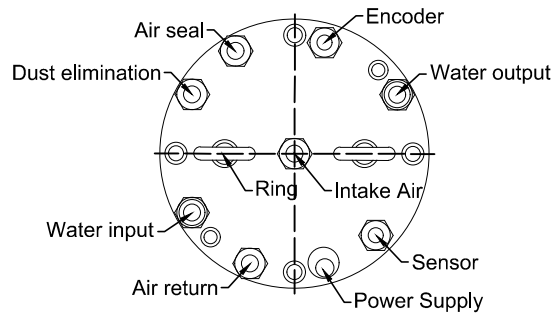


# STL125-24Z-7.5



## WHD SPINDLE MOTOR

Speed	Power	Voltage	Current	Frequency	Poles	Joint of nose	Lub	Cool	Bearings
24000RPM	7.5kW	380V	14.2A	800Hz	4	BT30	grease	Water	2x7008C P4 2x7007C P4