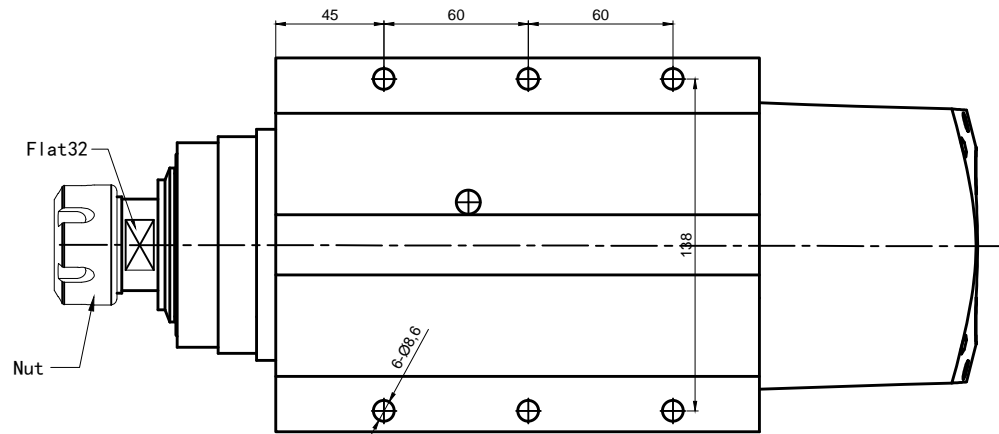
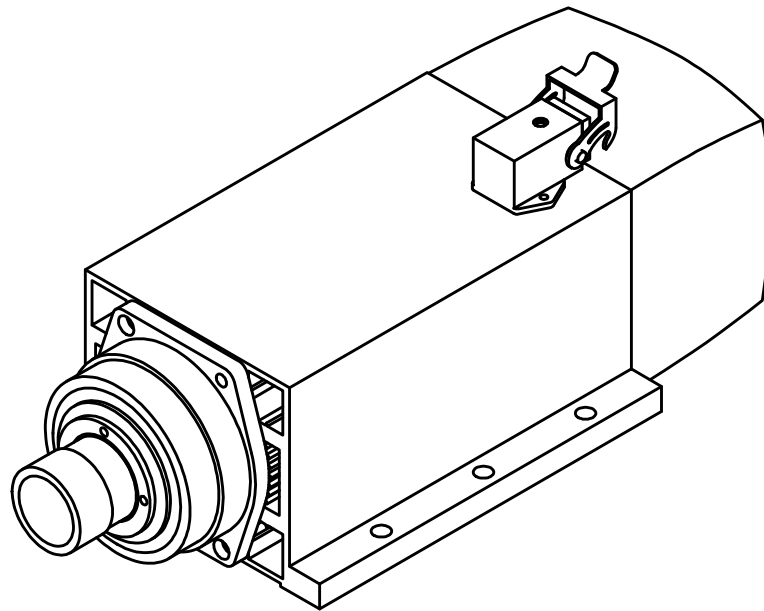
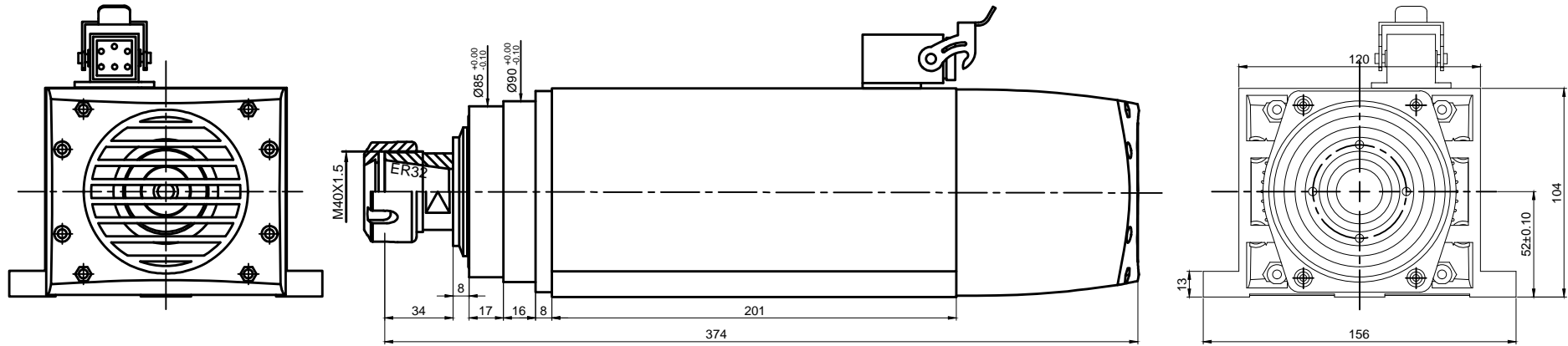


STF52-156B-4.5D-ER32



【CAUTION】

- Rotating mode: anticlockwise from the shaft extension end

WHD SPINDLE MOTOR

Power	Voltage	Current	Shaft	Frequency	Speed	Cool	Weight
4.5KW	380V	9.2A	ER32	300Hz	18000RPM	Air	12.5KG