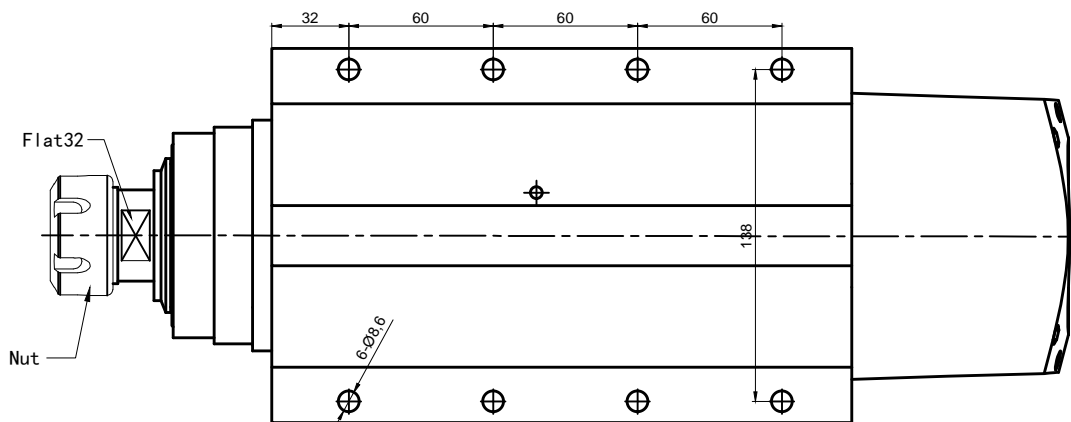
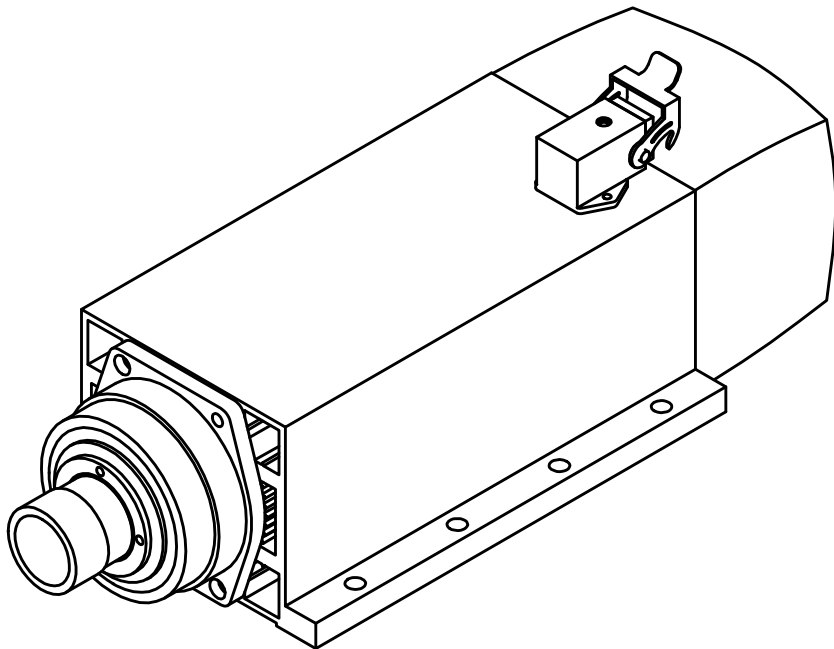
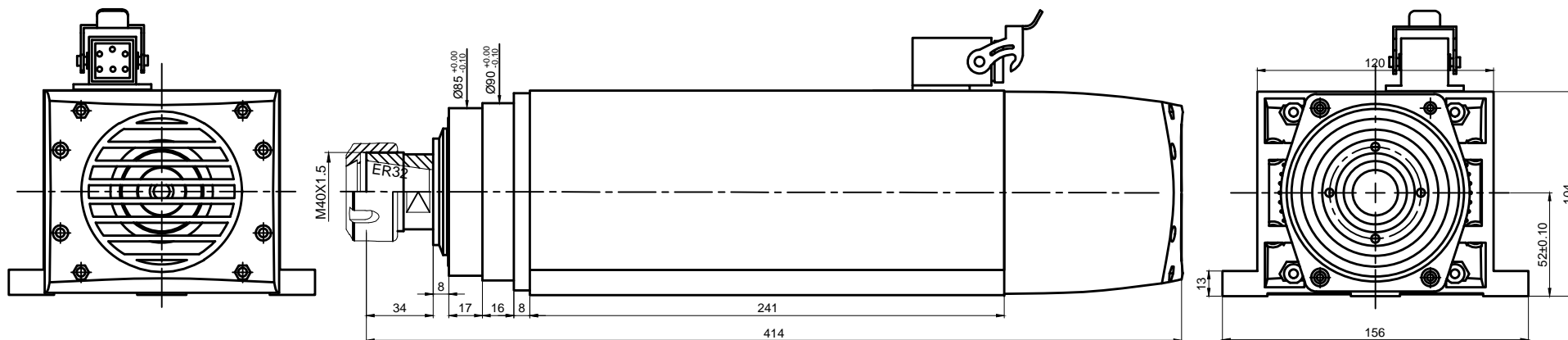


# STF52-156B-6.0D-ER32



**【CAUTION】**

- Rotating mode: anticlockwise from the shaft extension end

WHD SPINDLE MOTOR							
Power	Voltage	Current	Shaft	Frequency	Speed	Cool	Weight
6.0KW	380V	12.8A	ER32	300Hz	18000RPM	Air	14.5KG