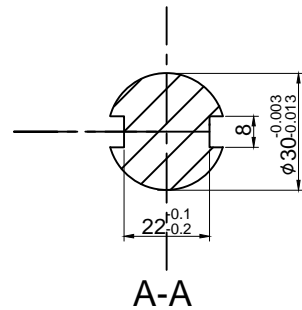
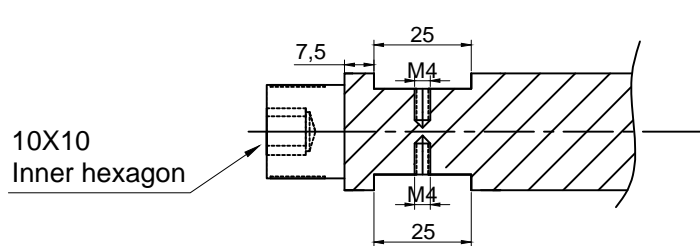
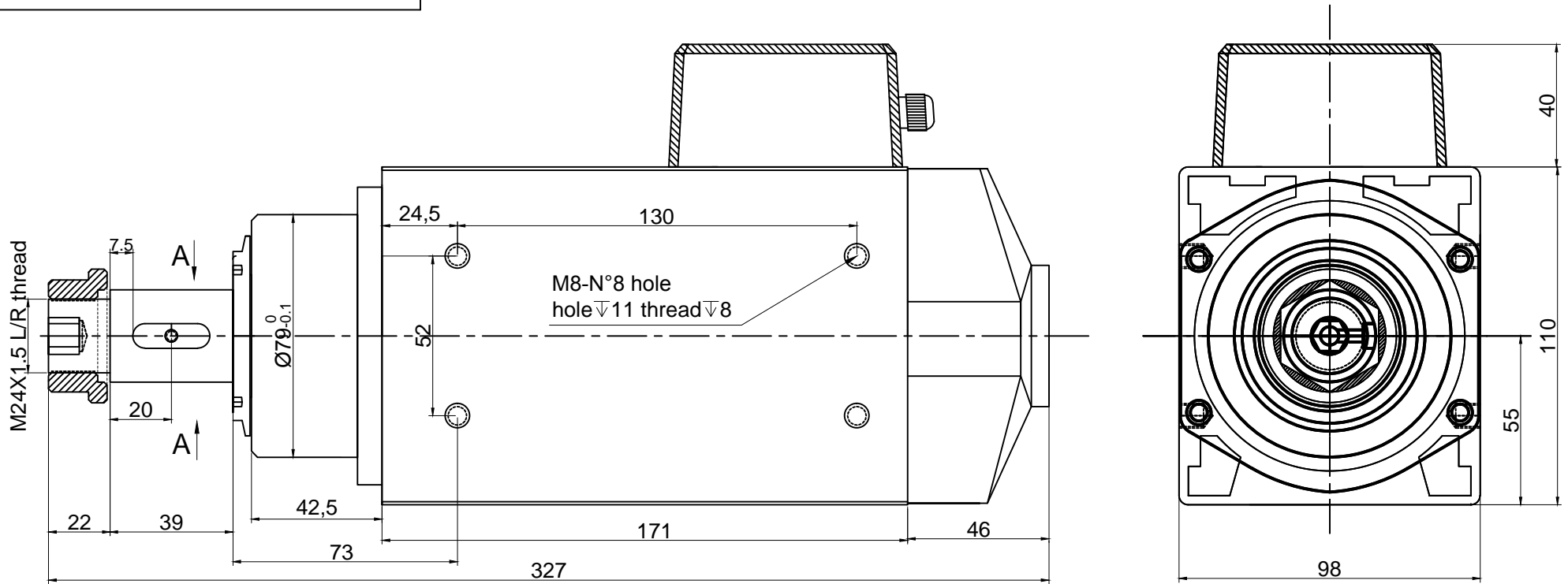


STX49-55-2.2-12Z-JXH-A



WHD SPINDLE MOTOR

| Power | Voltage | Current | Shaft | Frequency | Speed | Cool | Weight |
|-------|----------|----------|------------|-----------|----------|------|--------|
| 2.2KW | 380/220V | 5.6/9.7A | Customized | 200Hz | 12000RPM | Air | 9.8KG |