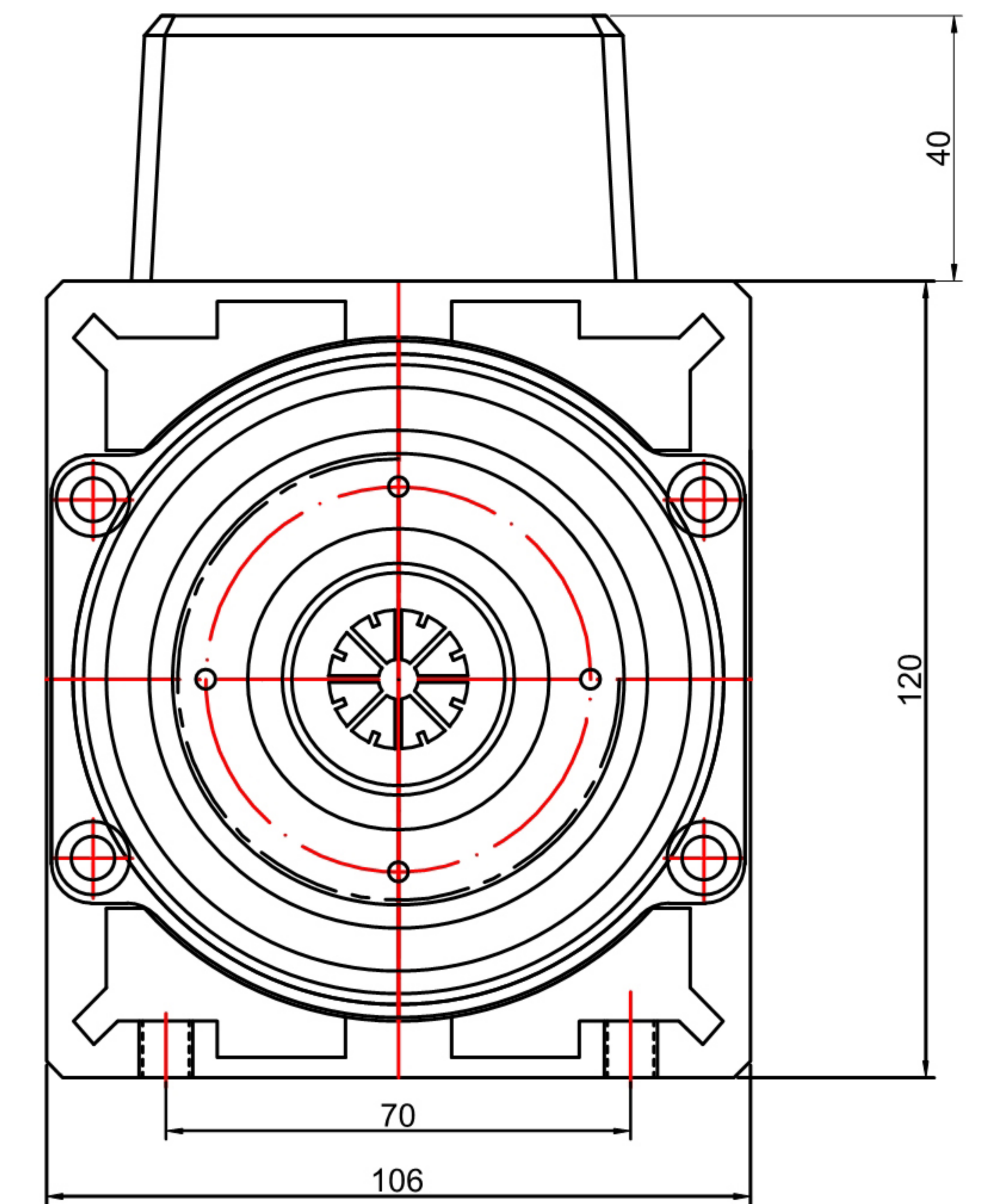
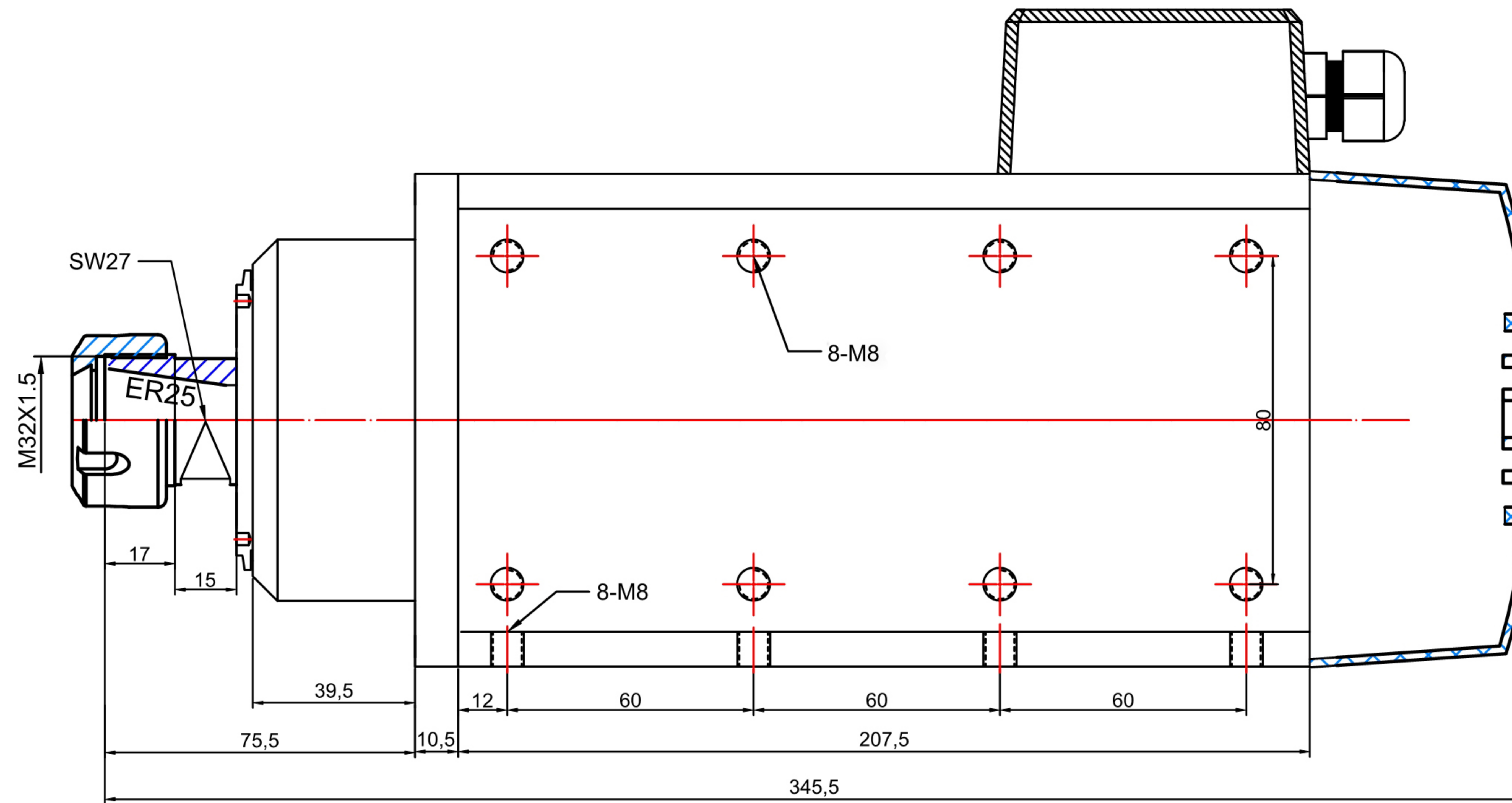


STF53-60-7.5-24Z-ER25



**Technical Parameters:**

1. RPM:24000r/min
2. Frequency :400Hz
3. Power :7.5KW
4. Voltage:380V
5. Current:12.8A
6. Cooling: Air

**WHD SPINDLE MOTOR**